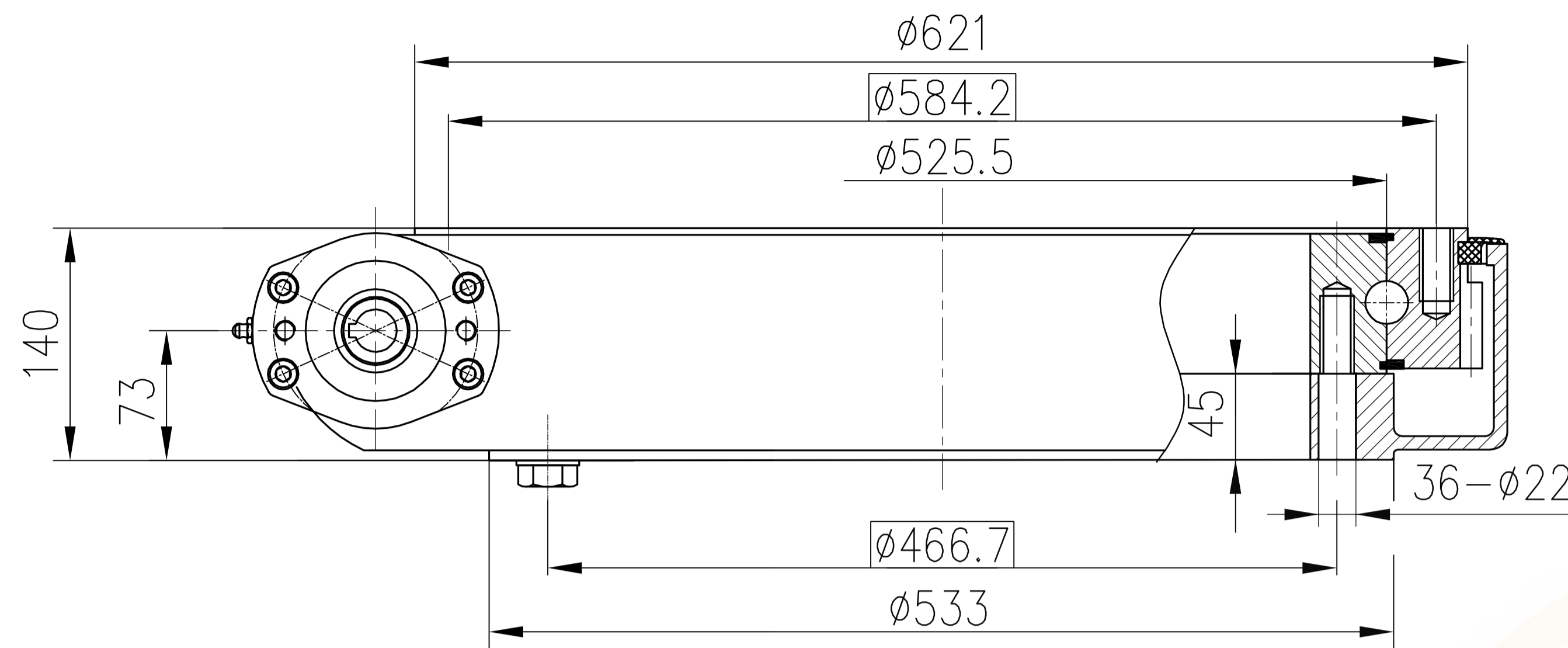
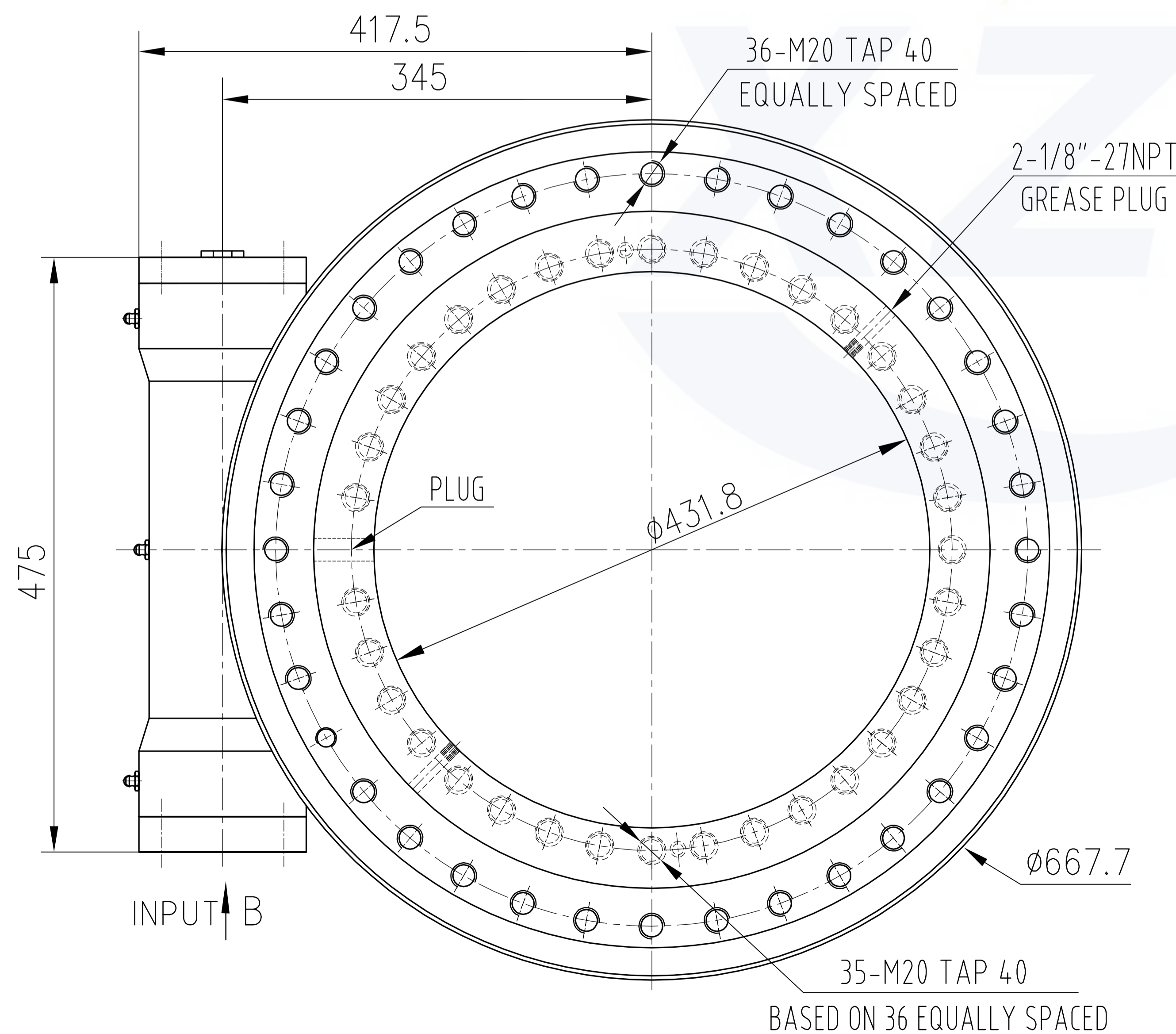
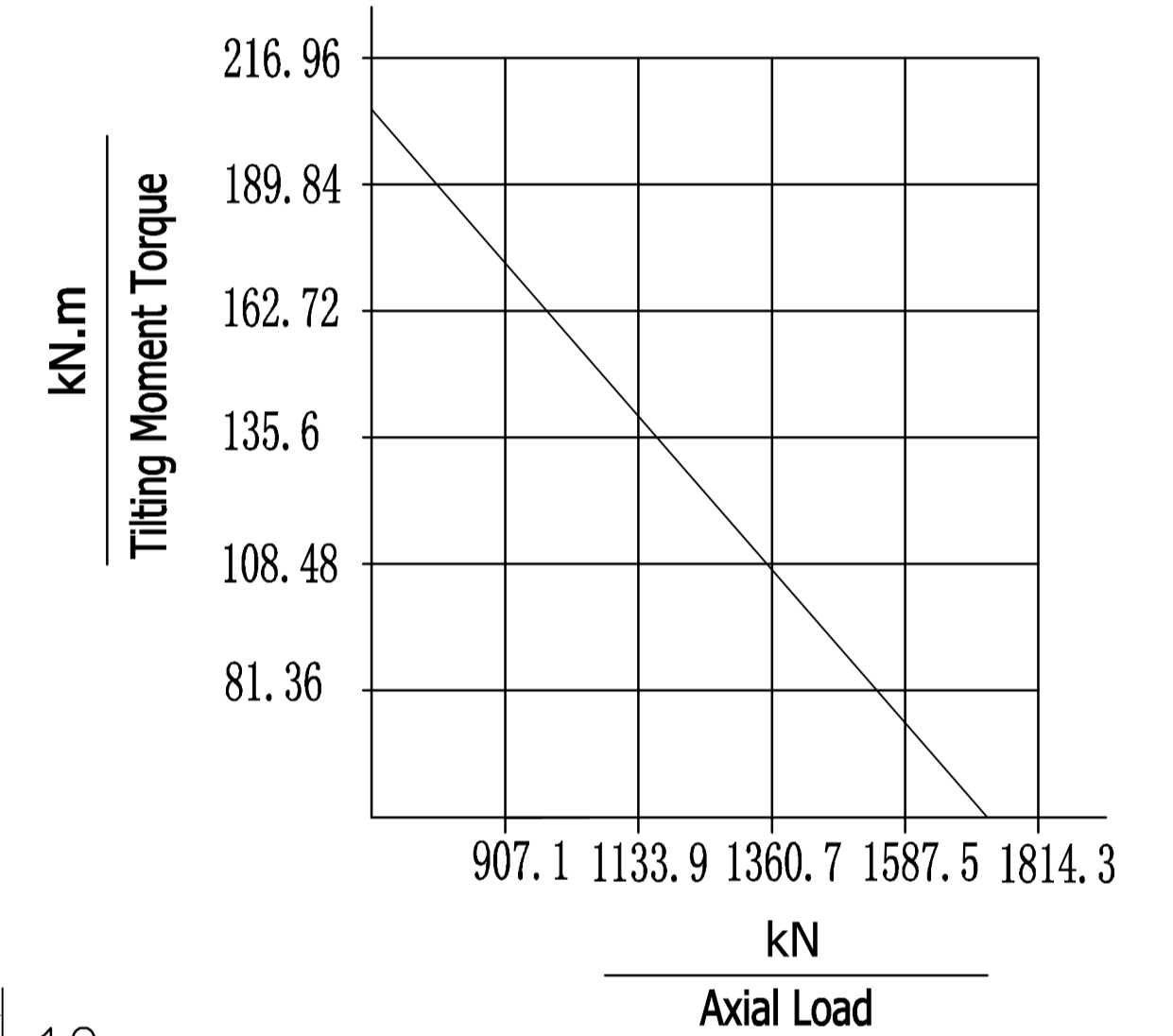


Slewing Drive Performance Data

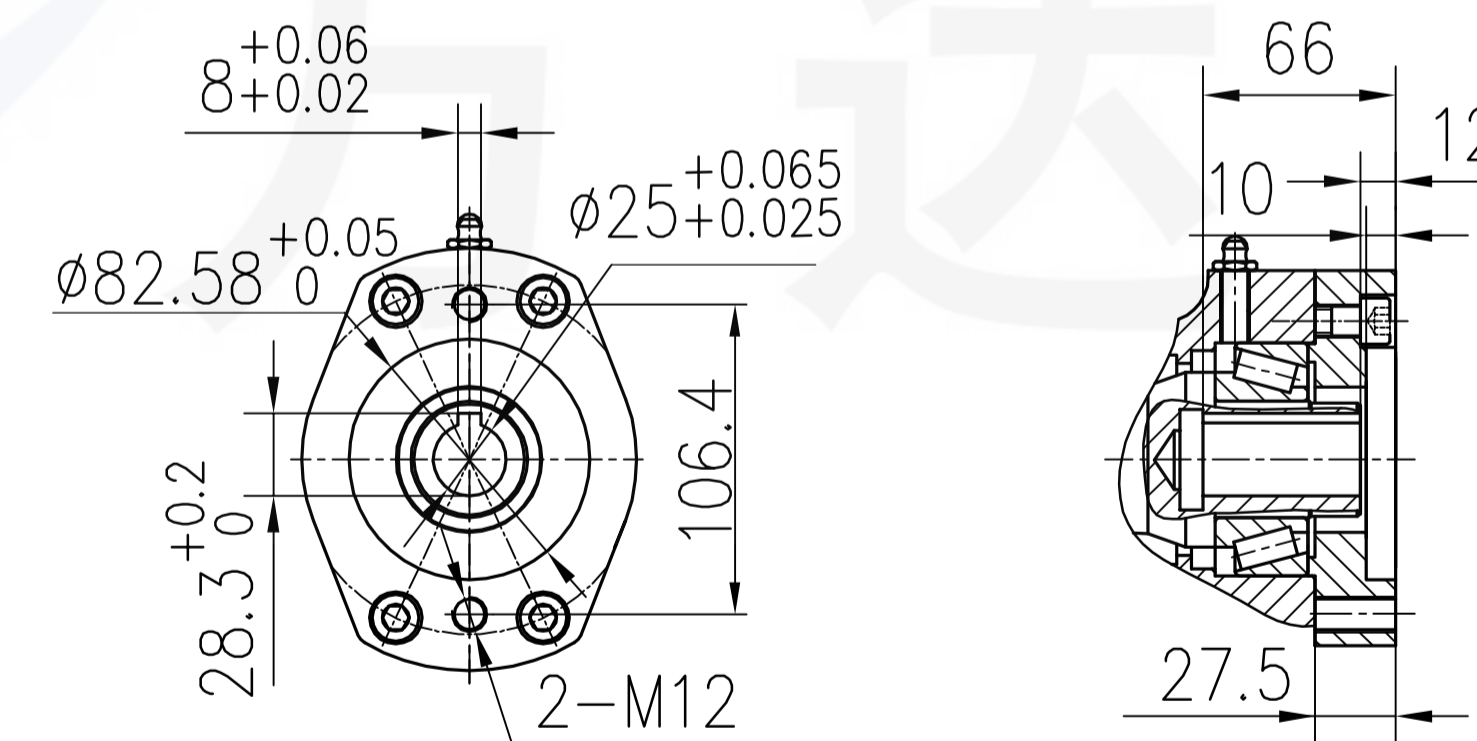
Gear Ratio	125:1
Rated Output Speed	≤1.5 rpm
Rated Output Torque	15 kN.m
Tilting Moment Torque	203 kN.m
Static Axial Rating	1598 kN
Static Radial Rating	640 kN
Dynamic Axial Rating	385 kN
Dynamic Radial Rating	335 kN
Tracking Precision	≤0.15°
Self Locking Gears	Yes
Weight	180 kg



MOMENT LOAD CHART
Axial Load & Tilting Moment



VIEW B



REV	DATE	REVISER	DESCRIPTION		
DESIGNED BY			Xuzhou Wanda Slewing Bearing Co.,Ltd. www.slew-bearing.com Tel: +86-516-83309366 Fax: +86-516-83915766		
CHECKED BY					
APPROVED BY					
ALL PROPRIETARY RIGHTS IN THE SUBJECT MATTER HERE OF ARE RESERVED, AND NO PERMISSION IS GRANTED OR TO DISCLOSE REPRODUCE THIS PRINT IN WHOLE OR IN PART, ANY OF THE INFORMATION TO OTHERS.			WEIGHT	SCALE	SLEWING DRIVE
SYMBOL ISO	SIZE	A3	SHEET	1/1	
				SE21-125-H-25R	REV A